



BBUX: MSRP Price List

Effective: April 1, 2016

Drawings not to scale

Features

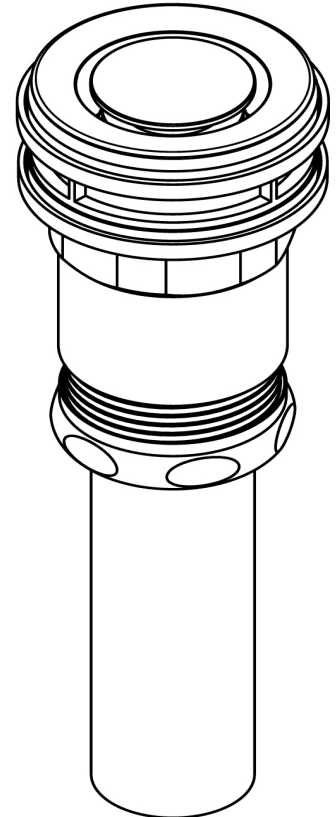
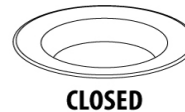
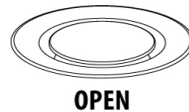
- Exclusive World Wide Patented Pop Down® Closure
- Elegant Profile: Stopper Sits Flush in Open Position
- Use for Sinks WITH or WITHOUT Overflow. See Page 2
- Solid Brass Construction
- 1-1/4" Connection for Most All 1-1/4 or 1-1/2" Sink Openings
- Fits Virtually ANY Sink Hole's Thickness (height)
 - Fits Up to 1-3/4" Basin Thickness without extension
 - Stackable extension available (see PN 29356) to suit virtually any basin thickness †

Compliance



- ASME A112.18.2-2011 / CSA B125.2-11
- Uniform Plumbing Code UPC®
- National Plumbing Code of Canada

Operation



Finishes / Colors "71310-###"

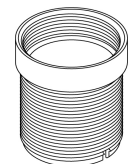
- -PC, Polished Chrome, Standard Finish
- -AB, Antique Brass, Artisan Finish
- -BTB, Bella Terra Bronze, Artisan Finish
- -GRP, Graphite, Satin Enduro® PVD
- -LSG, Satin Gold Enduro® PVD
- -MBLK, Matte Black, Artisan Finish
- -MOB, Mocha Bronze Satin Enduro® PVD
- -ORB, Oil Rubbed Bronze, Natural Finish
- -PVD, Polished Brass Enduro® PVD Finish
- -PN, Polished Nickel PVD Finish
- -SN, Satin Nickel, Natural Finish
- -SB, Satin Brass Enduro® PVD
- -SBZ, Champagne Bronze Enduro® PVD
- -SS, Satin Nickel Enduro® PVD

71310-##	add finish code -## or -##-FULL	*Standard Finish -##	**Fully Finished -##-FULL
• Standard Finish	-PC	\$98.50	PC is always "Fully Finished"
• Enduro® PVD	-PN, -PVD	\$149.50	\$199.50
• Enduro® PVD, Satin & Matte	-GRP, LSG, -MOB, -SB, -SBZ, -SS	\$178.50	\$233.50
• Natural	-SN, -ORB	\$146.50	\$195.50
• Artisan	-AB, BTB, MBLK	\$146.50	\$195.50 <small>MBLK CUSTOM ONLY</small>
• Unfinished Brass	-UB, for custom finishing by others (UB is not recommended)	\$98.50	\$98.50
† 29356			
• Extension			\$25.00
29355			
• Pop Down® Mechanism (ONLY)			\$16.00

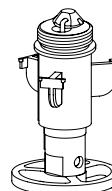
* Standard Finish
Top visible portion is finished
Top Stopper & Flange in your finish choice
Lower Body, Tail Piece Nut, Tail Piece will be Polished Chrome -PC

** Fully Finished: Stopper, Flange, Lower Body
Tail Piece Nut, Tail Piece

See Specification Sheet or Website for further clarification on finish application



† EXTENSION 29356 adds about 1-1/4" per extension
Multiple extensions OK, Stack to suit depth



Pop Down® Mechanism

10 Year Warranty on Mechanism

U.S. Patent 9151027

BOUNTY BRASSWARE AMERICAS, LLC, THE AMERICA'S DISTRIBUTOR, IS A SOLE AND SEPARATE ENTITY AND IS NEITHER RELATED TO NOR OWNED BY BOUNTY BRASSWARE OF AUSTRALIA

Revised: 1-Mar-21

©2017 BOUNTY BRASSWARE AMERICAS, LLC

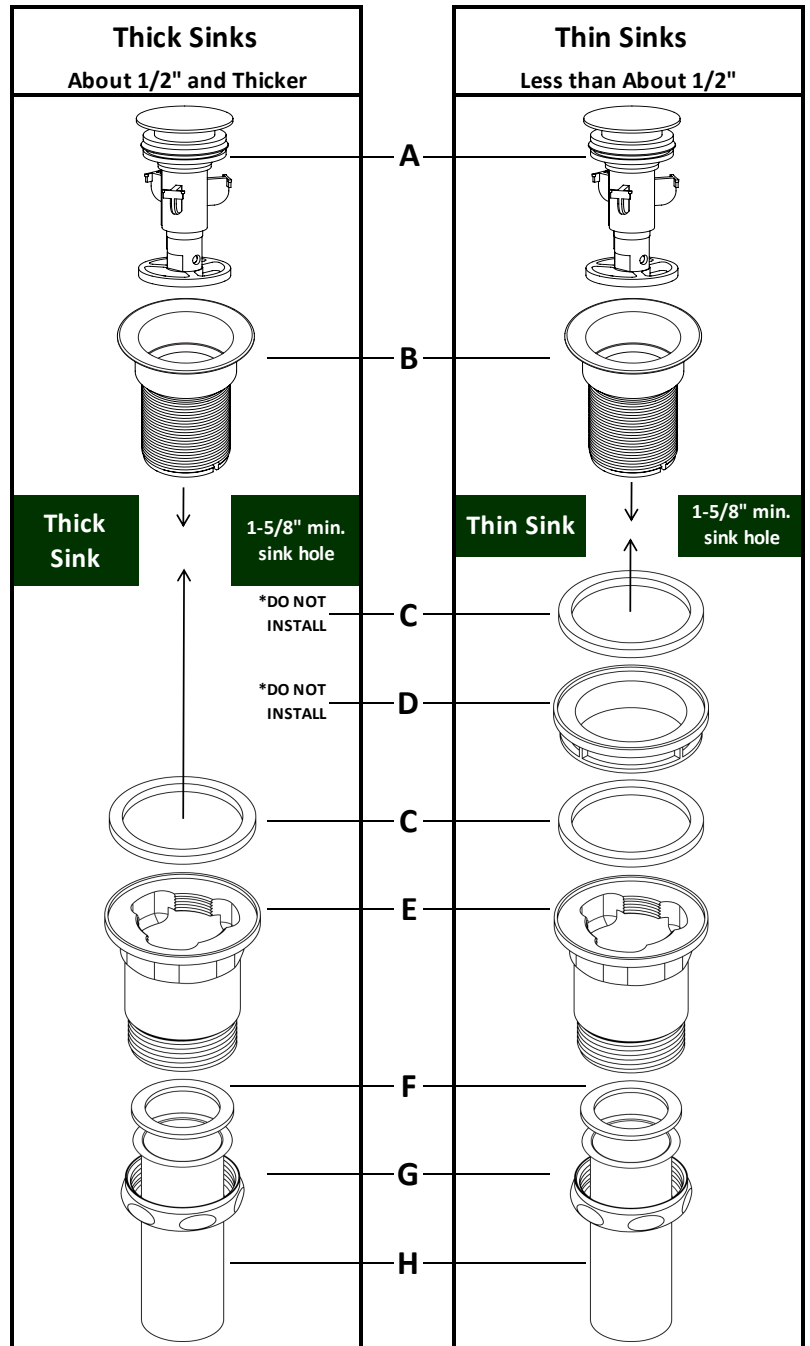


BBUX: Standard Installation

71310-##

Note: This waste fits sinks WITH or WITHOUT over-flow. This drain fits BOTH types of sinks.

- 1** Bounty Brassware Americas recommends installation by a Licensed Plumber
- 2** Check that sink drain opening is 1-5/8" minimum diameter and that the flange sits neatly in sink drain recess
- 3** Apply non-staining sealant to underside of **FLANGE (B)** sufficient to contact and seal well
Neutral cure silicone sealant is also okay. **WARNING:** Oil-based Plumbers Putty may react with some finishes
- 4** Place **FLANGE (B)** with sealant into sink opening and check that flange/sink seal is good
- 5** **THICK SINKS:** Use only one **RUBBER WASHER (C)**
- THIN SINKS:** Use 2 **RUBBER WASHERS (C)** on either side of **SPACER (D)**, as shown. Be sure washers are seated correctly
- 6** Carefully screw **BODY (E)** on to **FLANGE (B)** from underside of sink. Make sure **RUBBER WASHER (C)** is correctly seated in the recess on top of lower body. Do not over-tighten. Use rubber-safe lubricant if needed.
****Installation Trick:** If the bottom of the sink is a very coarse/rough casting, apply a small bead of silicone to the top of the **RUBBER WASHER (C)** to seal sink manufacturer's voids and thus create an effective seal.
- 7** Attach **TAIL PIECE (H)** to **BODY (E)** with **NUT (G)** and **TAIL PIECE WASHER (F)** in order shown
- 8** **TAIL PIECE (H)** may need to be trimmed to suit balance of waste system. P-trap and drain accessories not included
- 9** Install **Cartridge (A)**. Drain is open when flush and closed when down



Drawings not to scale



U.S. Patent 9151027

BOUNTY BRASSWARE AMERICAS, LLC, THE AMERICA'S DISTRIBUTOR, IS A SOLE AND SEPARATE ENTITY AND IS NEITHER RELATED TO NOR OWNED BY BOUNTY BRASSWARE OF AUSTRALIA

REVISED: 1-Mar-21

©2016 BOUNTY BRASSWARE AMERICAS, LLC