



# The Pop Down<sup>®</sup> Sink Drain

WWW.BOUNTYBRASSWARE.US

## BBUX: MSRP Price List

Effective: April 1, 2016

### Features

- Exclusive World Wide Patented Pop Down<sup>®</sup> Closure
- Elegant Profile: Stopper Sits Flush in Open Position
- Use for Sinks WITH or WITHOUT Overflow. See Page 2
- Solid Brass Construction
- 1-1/4" Connection for Most All 1-1/4" or 1-1/2" Sink Openings
- Fits Virtually ANY Sink Hole's Thickness (height)
  - Fits Up to 1-3/4" Basin Thickness
  - Stackable extension available (see PN 29356) to suit virtually any basin thickness †

Drawings not to scale

### Compliance



- ASME A112.18.2-2011 / CSA B125.2-11
- Uniform Plumbing Code UPC<sup>®</sup>
- National Plumbing Code of Canada

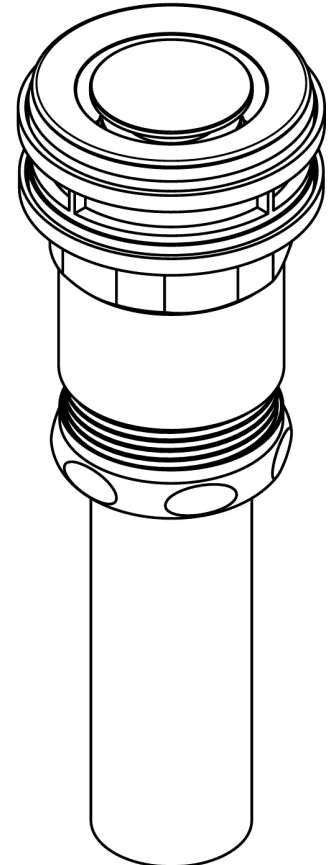
### Operation



OPEN



CLOSED



### Finishes / Colors "-###" ‡

TIP: Add "-FULL" to our standard product code for "fully finished" applications when the underside of the sink has exposed plumbing

- -PC, Polished Chrome, Standard Finish
- -AB, Antique Brass, Artisan Finish
- -BTB, Bella Terra Bronze, Artisan Finish
- -GRP, Graphite, Satin Enduro<sup>®</sup> PVD
- -LSG, Satin Gold Enduro<sup>®</sup> PVD
- -MBLK, Matte Black, Artisan Finish
- -MOB, Mocha Bronze Satin Enduro<sup>®</sup> PVD
- -ORB, Oil Rubbed Bronze, Natural Finish
- -PVD, Polished Brass Enduro<sup>®</sup> PVD Finish
- -PN, Polished Nickel PVD Finish
- -SN, Satin Nickel, Natural Finish
- -SS, Satin Nickel Enduro<sup>®</sup> PVD

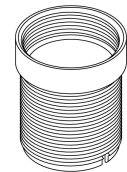
‡ -PC Finish is cUPC<sup>®</sup> approved. Alternate finish compliance pending IAPMO approval process

- Custom Finishes Available. Quotation is required

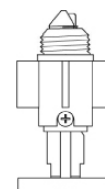
Please visit our website: [www.bountybrassware.us/finish](http://www.bountybrassware.us/finish)

71310-##	add finish code -## or -##-FULL	*Standard Finish -##	**Fully Finished ##-FULL
• Standard Finish -PC		\$98.50	PC is always "Fully Finished"
• Enduro <sup>®</sup> PVD -PN, -PVD		\$149.50	\$199.50
• Enduro <sup>®</sup> PVD, Satin & Matte -GRP, LSG, -MOB, -SS		\$178.50	\$233.50
• Natural -SN, -ORB		\$146.50	\$195.50
• Artisan -AB, BTB, MBLK		\$146.50	\$195.50 MBLK CUSTOM ONLY
• Unfinished Brass -UB, for custom finishing by others (UB is not recommended)		\$98.50	\$98.50
<b>† 29356</b>			
• Extension			\$25.00
<b>29355</b>			
• Pop Down <sup>®</sup> Mechanism (ONLY)			\$16.00

- \* Standard Finish  
Top visible portion is finished  
Top Stopper & Flange in your finish choice  
Lower Body, Tail Piece Nut, Tail Piece will be Polished Chrome -PC
  - \*\* Fully Finished: Stopper, Flange, Lower Body  
Tail Piece Nut, Tail Piece
- See Specification Sheet or Website for further clarification on finish application



† EXTENSION  
29356 adds about 1-1/4" per extension  
Multiple extensions OK, Stack to suit depth



Pop Down<sup>®</sup> Mechanism

10 Year Warranty on Mechanism

U.S. Patent 9151027

BOUNTY BRASSWARE AMERICAS, LLC, THE AMERICA'S DISTRIBUTOR, IS A SOLE AND SEPARATE ENTITY AND IS NEITHER RELATED TO NOR OWNED BY BOUNTY BRASSWARE OF AUSTRALIA

Revised: 5-Apr-17

©2017 BOUNTY BRASSWARE AMERICAS, LLC



# The Pop Down<sup>®</sup> Sink Drain

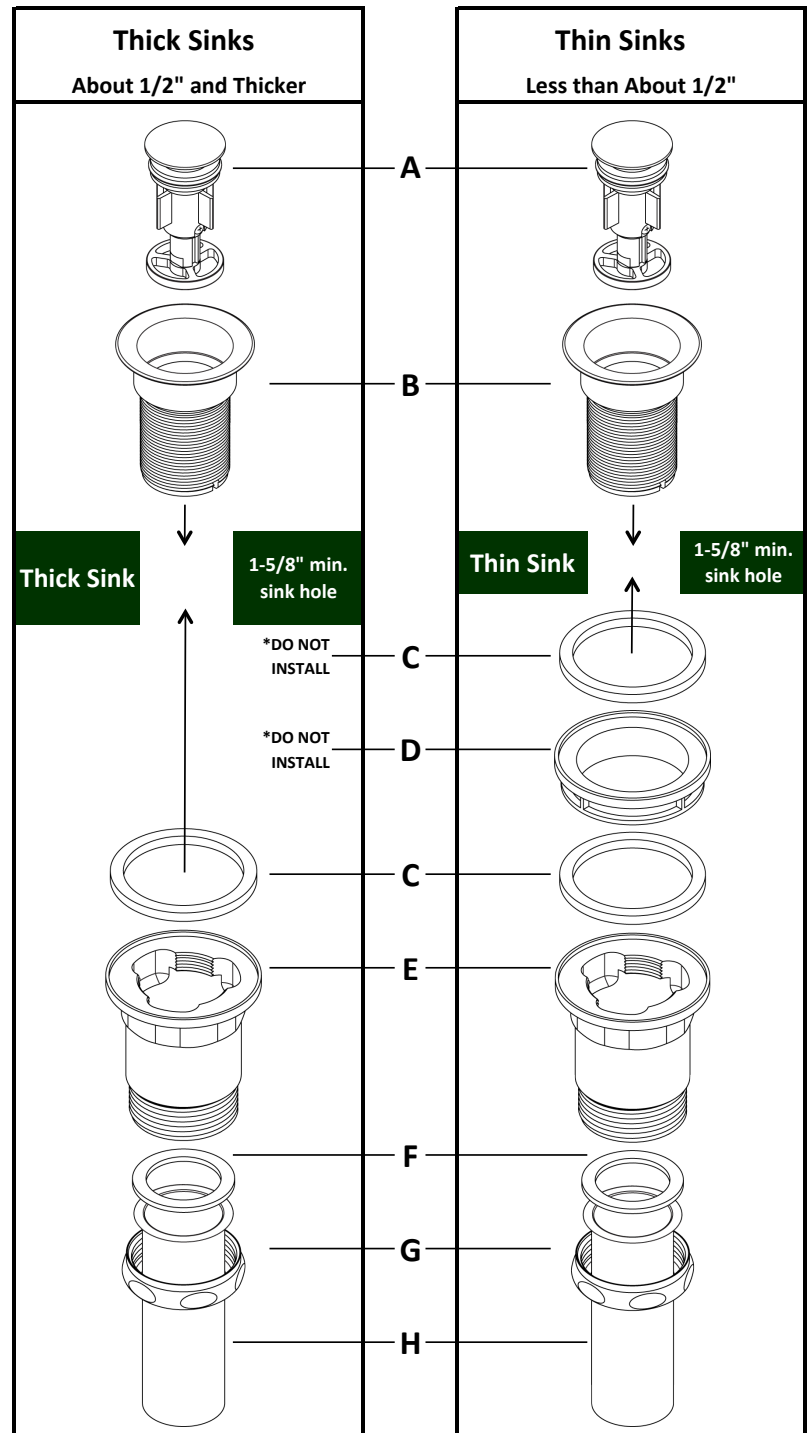
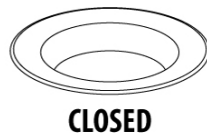
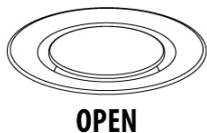
WWW.BOUNTYBRASSWARE.US

## BBUX: Standard Installation

71310-##

**Note: This waste fits sinks WITH or WITHOUT over-flow. This drain fits BOTH types of sinks.**

- 1 Bounty Brassware Americas recommends installation by a Licensed Plumber
- 2 Check that sink drain opening is 1-5/8" minimum diameter and that the flange sits neatly in sink drain recess
- 3 Apply non-staining sealant to underside of **FLANGE (B)** sufficient to contact and seal well  
Neutral cure silicone sealant is also okay. **WARNING: Oil-based Plumbers Putty may react with some finishes**
- 4 Place **FLANGE (B)** with sealant into sink opening and check that flange/sink seal is good
- 5 **THICK SINKS:** Use only one **RUBBER WASHER (C)**  
**THIN SINKS:** Use 2 **RUBBER WASHERS (C)** on either side of **SPACER (D)**, as shown. Be sure washers are seated correctly
- 6 Carefully screw **BODY (E)** on to **FLANGE (B)** from underside of sink. Make sure **RUBBER WASHER (C)** is correctly seated in the recess on top of lower body. Do not over-tighten. Use rubber-safe lubricant if needed.  
\*\*Installation Trick: If the bottom of the sink is a very coarse/rough casting, apply a small bead of silicone to the top of the **RUBBER WASHER (C)** to seal sink manufacturer's voids and thus create an effective seal.
- 7 Attach **TAIL PIECE (H)** to **BODY (E)** with **NUT (G)** and **TAIL PIECE WASHER (F)** in order shown
- 8 **TAIL PIECE (H)** may need to be trimmed to suit balance of waste system . P-trap and drain accessories not included
- 9 Install **Cartridge (A)**. Drain is open when flush and closed when down



Drawings not to scale

U.S. Patent 9151027

BOUNTY BRASSWARE AMERICAS, LLC, THE AMERICA'S DISTRIBUTOR, IS A SOLE AND SEPARATE ENTITY AND IS NEITHER RELATED TO NOR OWNED BY BOUNTY BRASSWARE OF AUSTRALIA

REVISED: 19-Jun-18

©2016 BOUNTY BRASSWARE AMERICAS, LLC