



BBUX: Specifications

71310-##, "Top Only Finished"

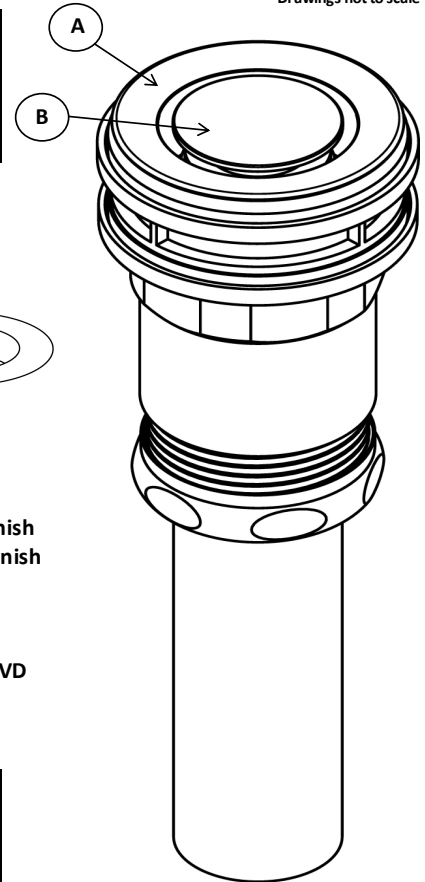
This Model is Best Used When "Below the Sink" is NOT Exposed

Drawings not to scale

Features

- Exclusive World Wide Patented Pop Down® Closure
- Elegant Profile: Stopper Sits Flush in Open Position
- Use for Sinks WITH or WITHOUT Overflow. See Page 2
- Solid Brass Construction
- 1-1/4" Connection for Most All 1-1/4 or 1-1/2" Sink Openings
- Fits Virtually ANY Sink Hole's Thickness (height)
 - Fits Up to 1-3/4" Basin Thickness
- † ○ Stackable extension available (see PN 29356) to suit virtually any basin thickness

This model is finished on the exposed top-surfaces only, Flange and Stopper, shown at A & B

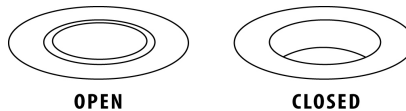


Compliance



- ASME A112.18.2-2011 / CSA B125.2-11
- Uniform Plumbing Code UPC®
- National Plumbing Code of Canada

Operation



Finishes / Colors "71310-##"

- -PC, Polished Chrome, Standard Finish
- -AB, Antique Brass, Artisan Finish
- -BTB, Bella Terra Bronze, Artisan Finish
- -GRP, Graphite, Satin Enduro® PVD
- -LSG, Satin Gold Enduro® PVD
- -MBLK, Matte Black, Artisan Finish
- -MOB, Mocha Bronze Satin Enduro® PVD
- -ORB, Oil Rubbed Bronze, Natural Finish
- -PVD, Polished Brass Enduro® PVD Finish
- -PN, Polished Nickel PVD Finish
- -SN, Satin Nickel, Natural Finish
- -SB, Satin Brass Enduro® PVD
- -SBZ, Champagne Bronze Enduro® PVD
- -SS, Satin Nickel Enduro® PVD

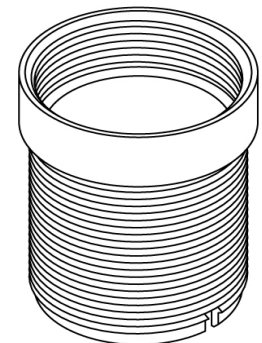
Product Specification	Add Finish/Color Suffix "-##" to Below Model Number
The sink drain shall be made of solid brass and ancillary durable material construction. The drain shall be furnished with 1-1/4" OD connection. The Drain shall have a Pop Down® stopper. The drain shall be Bounty Brassware® Pop Down® 71310-____	

Special Installation Considerations **29356**

† **Extension**

- Use this extension when sink thickness exceeds 1-3/4" thick (this extension is rarely required)
- Extensions may be "stacked" to achieve desired working height
- Each extension adds about 1-1/4" depth to the effective installation height
- See Installation Instructions

Additional Product Specification
The Pop Down® Drain (71310-##) shall be furnished with solid brass extension(s) for sink thicknesses exceeding the standard 1-3/4" maximum. One extension shall be furnished for each additional 1-1/4" of sink thickness required above and beyond the standard 1-3/4" maximum thickness. The extension shall be 29356.





BOUNTYBRASSWARE
Designer Bathroom Fittings



The Pop Down® Sink Drain

WWW.BOUNTYBRASSWARE.US

BBUX: Assembly & Dimensions

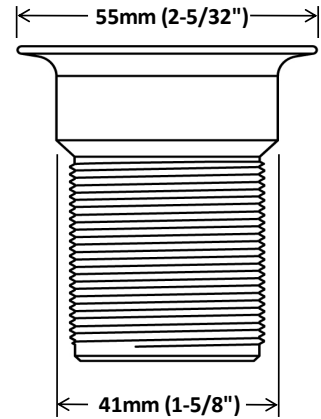
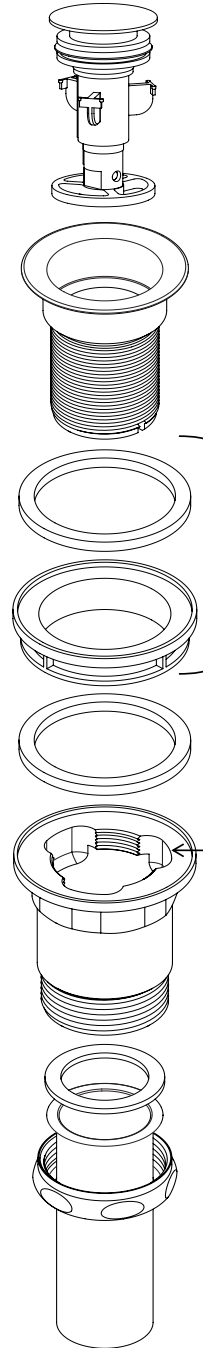
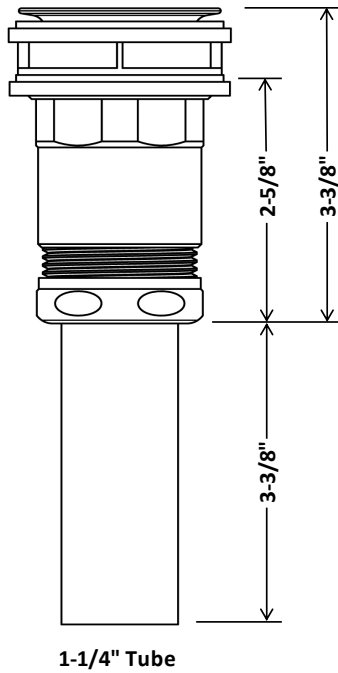
71310-##

Nominal dimensions, shown to nearest 1/16"

Drawings not to scale

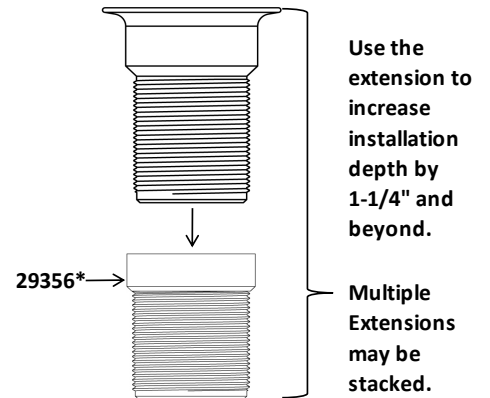
PLEASE NOTE:

The Pop Down® installs on sinks WITH or WITHOUT overflow
One drain will suit EITHER application
See overflow ports in exploded view for clarification*



Only install these two for thin-sink applications
(e.g. metal sinks or sink thickness ≤ 1/2"±)

***Over-flow Ports (3)**
Our Pop Down® Drain fits sinks
WITH or WITHOUT over-flow capability



*Extension 29356 Sold Separately

U.S. Patent 9151027

REVISED: 26-Mar-21

BOUNTY BRASSWARE AMERICAS, LLC, THE AMERICA'S DISTRIBUTOR, IS A SOLE AND SEPARATE ENTITY AND IS NEITHER RELATED TO NOR OWNED BY BOUNTY BRASSWARE OF AUSTRALIA

©2016 BOUNTY BRASSWARE AMERICAS, LLC