



The Pop Down® for Tubs

WWW.BOUNTYBRASSWARE.US

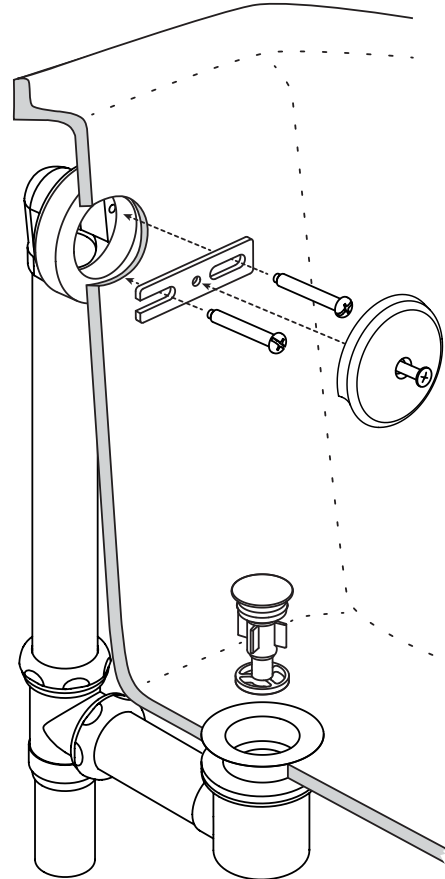
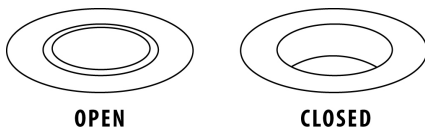
BBUX: Specifications

71233-## and 71233-##-FULL

Features

- Exclusive World Wide Patented Pop Down® Closure
- Elegant Profile: Stopper Sits Flush in Open Position
- Solid Brass Construction
- 1-1/2" OD Tube Connection

Operation



Compliance



- ASME A112.18.2-2011 / CSA B125.2-11
- Uniform Plumbing Code UPC®
- National Plumbing Code of Canada

Finishes / Colors "-##" ‡

- -PC Polished Chrome, Standard Finish
- -AB Antique Brass, Artisan Finish
- -BTB Bella Terra Bronze, Artisan Finish
- -GRP Graphite, Satin PVD Finish
- -LSG Satin Gold, Satin PVD
- -MOB Mocha Bronze, Matte PVD Finish
- -ORB Oil Rubbed Bronze, Natural Finish
- -MBLK Matte Black, Artisan Finish
- -PVD Polished Brass, PVD Finish
- -PN Polished Nickel, PVD Finish
- -SN Satin Nickel, Natural Finish
- -SS Satin Nickel PVD, (Stainless Steel Look)

Add "-FULL" to indicate fully finished

‡ -PC Finish is cUPC® approved. Alternate finish compliance pending IAPMO approval process

Product Specification

Add Finish/Color Suffix "-##" to Below Model Number

The tub drain shall be made of solid brass and ancillary durable material construction. The drain shall be furnished with 1-1/2" OD connection. The Drain shall have a Pop Down® stopper. The drain shall be Bounty Brassware® BBUX Pop Down® 71233-____



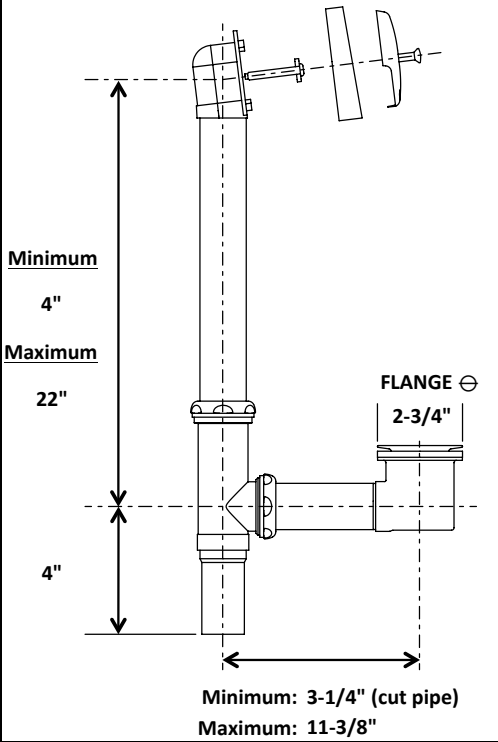
The Pop Down® for Tubs

WWW.BOUNTYBRASSWARE.US

BBUX: Specifications

71233-## and 71233-##-FULL

Rough-in Dimensions



PART DESCRIPTION	
A	Overflow Tube Assembly
B	Overflow Gasket
C	Overflow Retaining Plate
D	Overflow Screws
E	Overflow Cover and Screw
F	Slip Joint Nut
G	Pop Down® Stopper
H	Slip Joint Seal
J	Pop Down® Flange
K	Drain Tee
L	Rubber Washer
M	1-1/2" OD Tail Piece
N	Shoe Ell & Tube Assembly

