



**BBUX: INSTALLATION**

**71232-##**

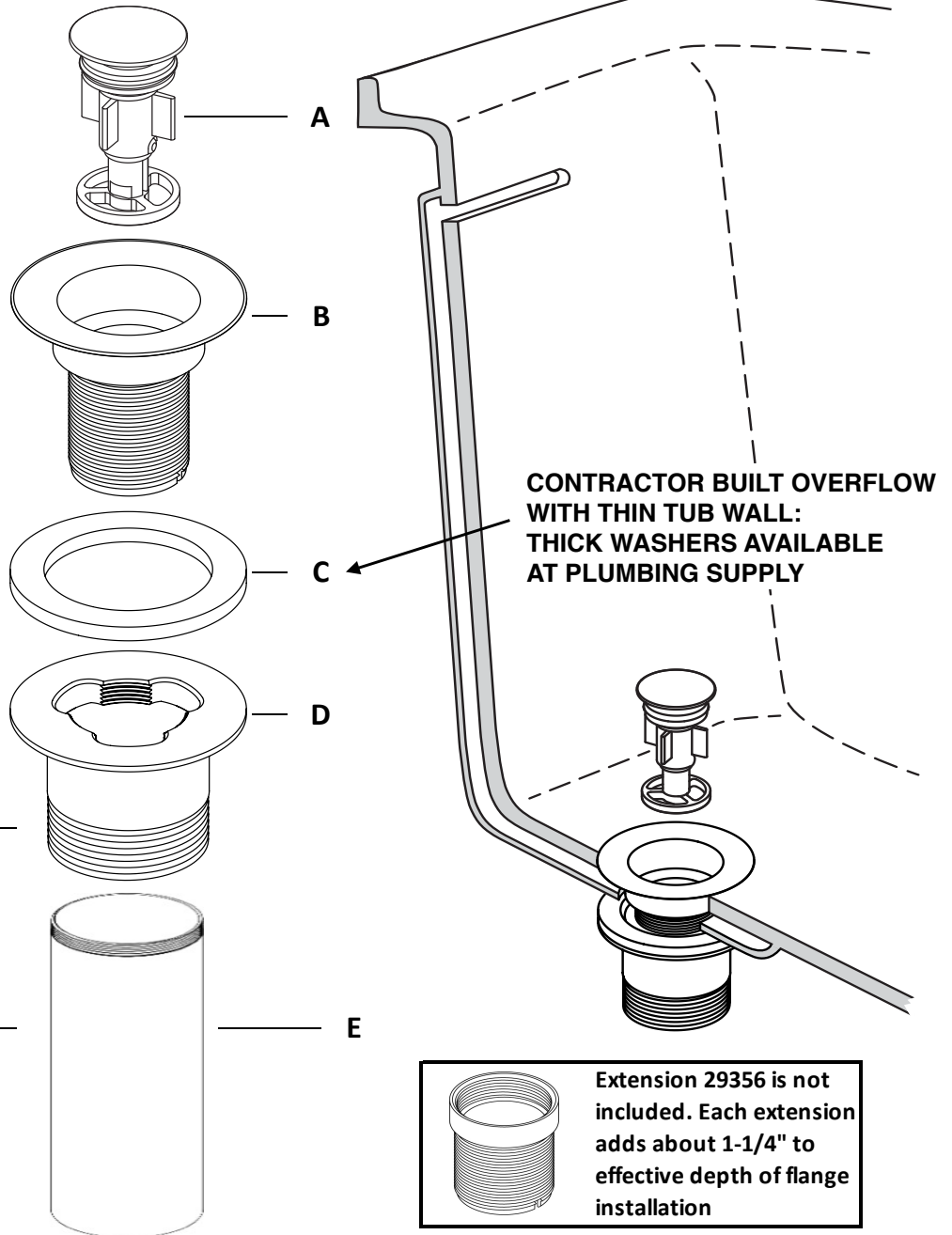
PART DESCRIPTION	
A	Pop Down® Mechanism
B	Pop Down® Flange
C	Rubber Washer
D	Pop Down® Back Nut, 1-1/2" NPSM Connection
-OR ALSO-	
E	1-1/2" Tailpiece for Compression Connection

**PLEASE NOTE:**  
The Pop Down® for integral overflow tubs may be installed on standard tubs with contractor-built overflows, too.

1-1/2" NPSM Connection to Sanitary Sewer System

-OR-

1-1/2" Tube for Compression Type Connection



- ⇒ **INSTALLATION:** Bounty Brassware recommends installation by qualified technician as required in your local jurisdiction
- Apply non-staining sealant to underside of **FLANGE** (caution: some plumber's putty may void finish warranty)
  - Seat **FLANGE** into tub drain opening from within tub
  - From underside of tub place **RUBBER WASHER** on **BACK NUT** and screw to **FLANGE**
  - Tighten **BACK NUT** to **FLANGE**
  - Apply thread sealant and attach drain to sanitary sewer system as required for your particular installation
  - Test entire unit for water tight integrity





**BOUNTYBRASSWARE**  
Designer Bathroom Fittings



# The Pop Down® for Integral Overflow Tubs

WWW.BOUNTYBRASSWARE.US

## Assembly & Dimensions

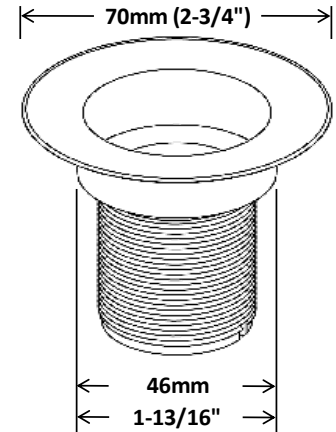
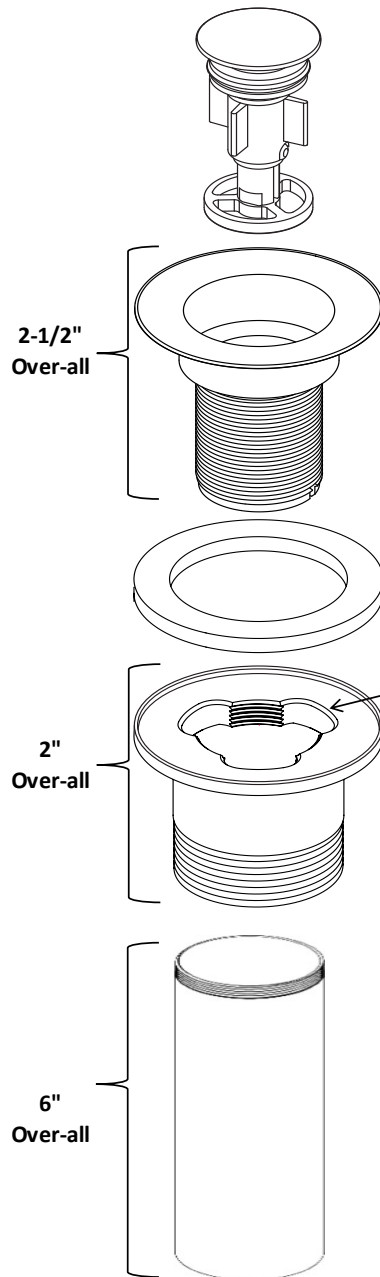
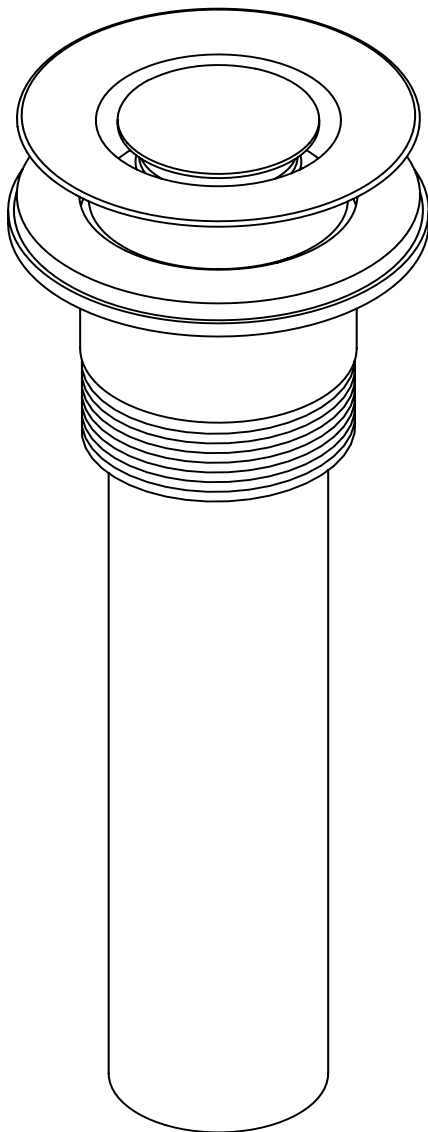
**BBUX71232-xx**

Nominal dimensions, shown to nearest 1/16"

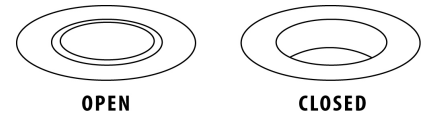
Drawings not to scale

**PLEASE NOTE:**

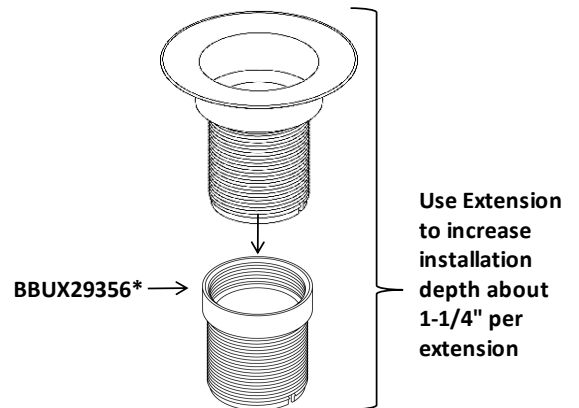
The Pop Down® for integral overflow tubs may be installed on standard tubs with contractor-built overflows, too.



### Operation



Over-flow Ports (3)



\*Extension BBUX29356 Sold Separately

U.S. Patent 9151027

REVISED: 1-Dec-20

BOUNTY BRASSWARE AMERICAS, LLC, THE AMERICA'S DISTRIBUTOR, IS A SOLE AND SEPARATE ENTITY AND IS NEITHER RELATED TO NOR OWNED BY BOUNTY BRASSWARE OF AUSTRALIA

©2020 BOUNTY BRASSWARE AMERICAS, LLC