



BBUX: INSTALLATION

71232-##

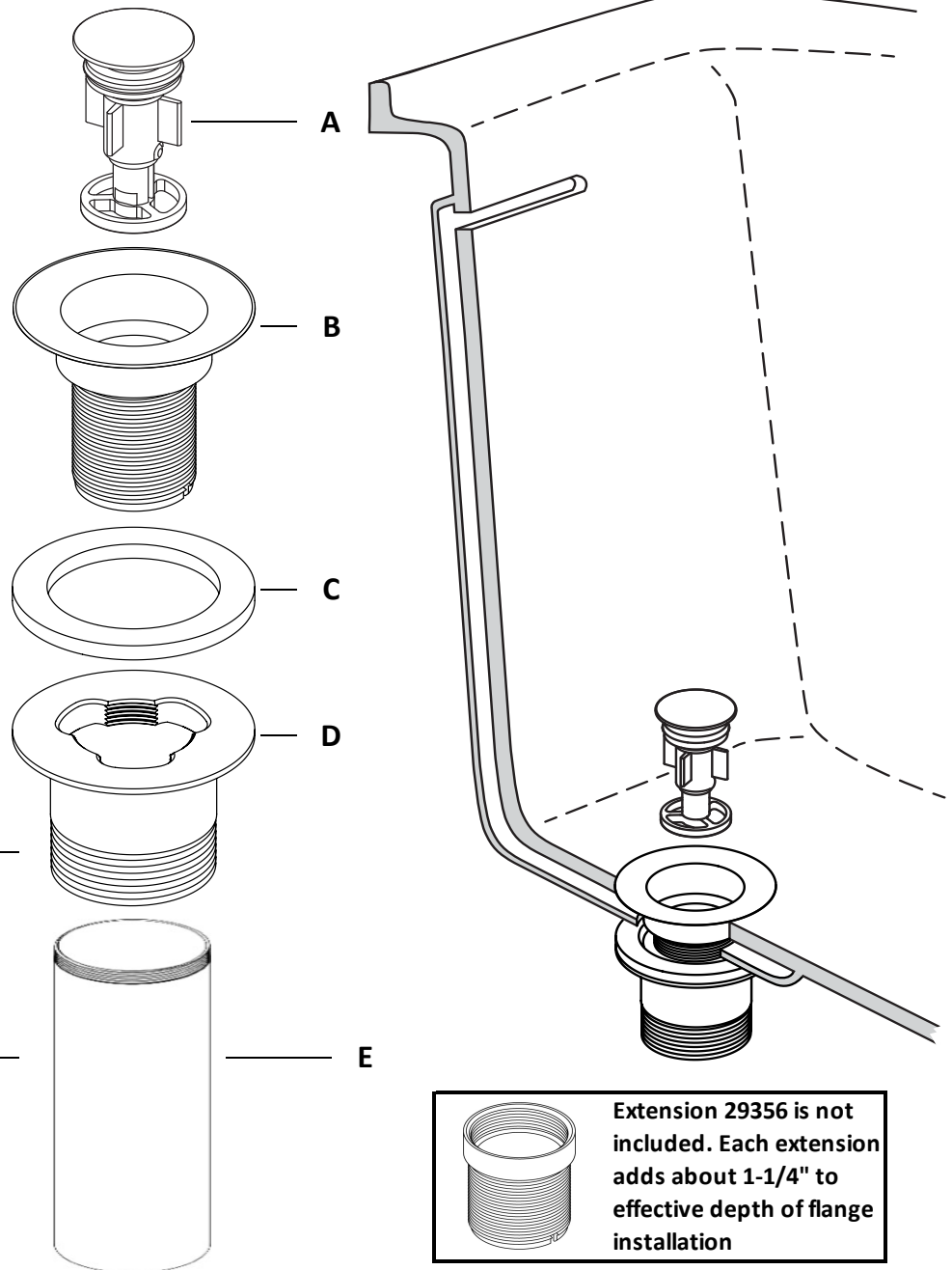
PART DESCRIPTION	
A	Pop Down® Mechanism
B	Pop Down® Flange
C	Rubber Washer
D	Pop Down® Back Nut, 1-1/2" NPSM Connection
-OR ALSO-	
E	1-1/2" Tailpiece for Compression Connection

PLEASE NOTE:
The Pop Down® for integral overflow tubs may be installed on standard tubs with contractor-built overflows, too.

1-1/2" NPSM Connection to Sanitary Sewer System

-OR-

1-1/2" Tube for Compression Type Connection



- ⇒ **INSTALLATION:** Bounty Brassware recommends installation by qualified technician as required in your local jurisdiction
- Apply non-staining sealant to underside of **FLANGE** (caution: some plumber's putty may void finish warranty)
 - Seat **FLANGE** into tub drain opening from within tub
 - From underside of tub place **RUBBER WASHER** on **BACK NUT** and screw to **FLANGE**
 - Tighten **BACK NUT** to **FLANGE**
 - Apply thread sealent and attach drain to sanitary sewer system as required for your particular installation
 - Test entire unit for water tight integrity

