



The Pop Down® for

Integral Overflow Tubs

WWW.BOUNTYBRASSWARE.US

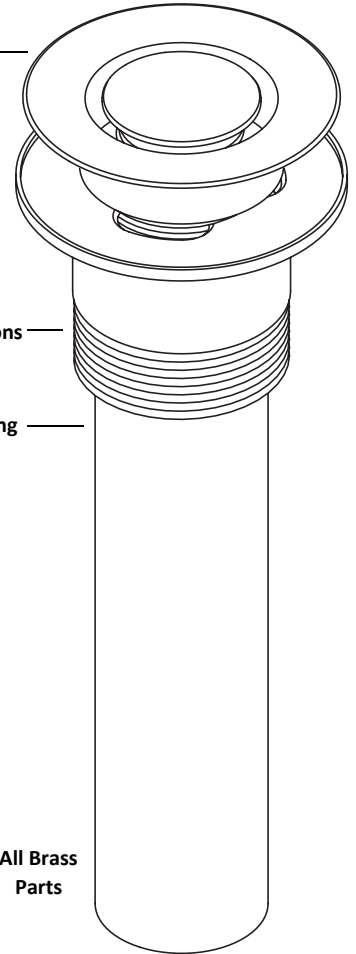
BBUX: MSRP Price List Effective: January 1, 2020

Features

- Exclusive World Wide Patented Pop Down® Closure
- No Protruding Stopper for Bathing Comfort
- Solid Brass Construction
- Elegant Profile: Stopper Sits Flush in Open Position
- HIGH SPEED MODE: Simply Lift Out the Stopper for Even Faster Draining
- No Inadvertent Draining by Kicking Stopper
- Works for Standard Tubs, too

Flange and Stopper are in Your Choice of Finish

3 Ports for Integral Overflow Tubs
Works for Plumber-built Standard Overflow Tubs, too!



Compliance



- ASME A112.18.2-2011 / CSA B125.2-11
- Uniform Plumbing Code UPC®
- National Plumbing Code of Canada

1-1/2" NPSM Thread for Inaccessible Installations

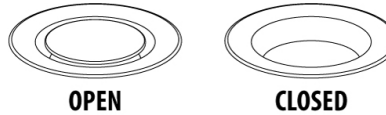
-or-

1-1/2" Compression Fitting

Finishes / Colors "-###" ‡

- -PC Polished Chrome, Standard Finish
- -AB Antique Brass, Artisan Finish
- -BTB Bella Terra Bronze, Artisan Finish
- -LSG Satin Gold, Satin PVD
- -ORB Oil Rubbed Bronze, Natural Finish
- -MBLK Matte Black, Artisan Finish
- -PVD Polished Brass, PVD Finish
- -PN Polished Nickel, PVD Finish
- -SN Satin Nickel, Natural Finish
- -SS Satin Nickel PVD, (Stainless Steel Look)

Operation



PLEASE NOTE:
The Pop Down® for integral overflow tubs may be installed on standard tubs with contractor-built overflows, too.

All Brass Parts

‡ -PC Finish is cUPC® approved. Alternate finish compliance pending IAPMO approval process

- Custom Finishes Available. Quotation is required
Please visit our website: www.bountybrassware.us

71232-##	Add your finish code	*Standard Finishes -##	**Fully Finished FULL	-##-
• Standard Finish		\$123.00	\$160.00	Call
-PC			First	
• Enduro PVD		\$187.00	\$243.00	Call
-PN, -PVD			First	
• Enduro PVD, Satin & Matte		\$223.00	\$289.00	Call
-LSG, -SS			First	
• Natural		\$183.00	\$238.00	Call
-SN, -MBLK			First	
• Artisan		\$183.00	\$238.00	Call
-AB, -BTB			First	
• Unfinished Brass		\$123.00	\$160.00	
-UB, for custom finishing by others				



- * Standard Finish:
Stopper and Tub Flange
in your choice of finish
All other parts unfinished brass
- ** Fully Finished:
All exposed metal parts

U.S. Patent 9151027

BOUNTY BRASSWARE AMERICAS, LLC, THE AMERICA'S DISTRIBUTOR, IS A SOLE AND SEPARATE ENTITY AND IS NEITHER RELATED TO NOR OWNED BY BOUNTY BRASSWARE OF AUSTRALIA

Drawings not to scale

Revised: 01-Aug-20

©2020 BOUNTY BRASSWARE AMERICAS, LLC



The Pop Down[®] for Integral Overflow Tubs

WWW.BOUNTYBRASSWARE.US

BBUX: INSTALLATION

71232-##

PART DESCRIPTION	
A	Pop Down [®] Mechanism
B	Pop Down [®] Flange
C	Rubber Washer
D	Pop Down [®] Back Nut, 1-1/2" NPSM Connection
-OR ALSO-	
E	1-1/2" Tailpiece for Compression Connection

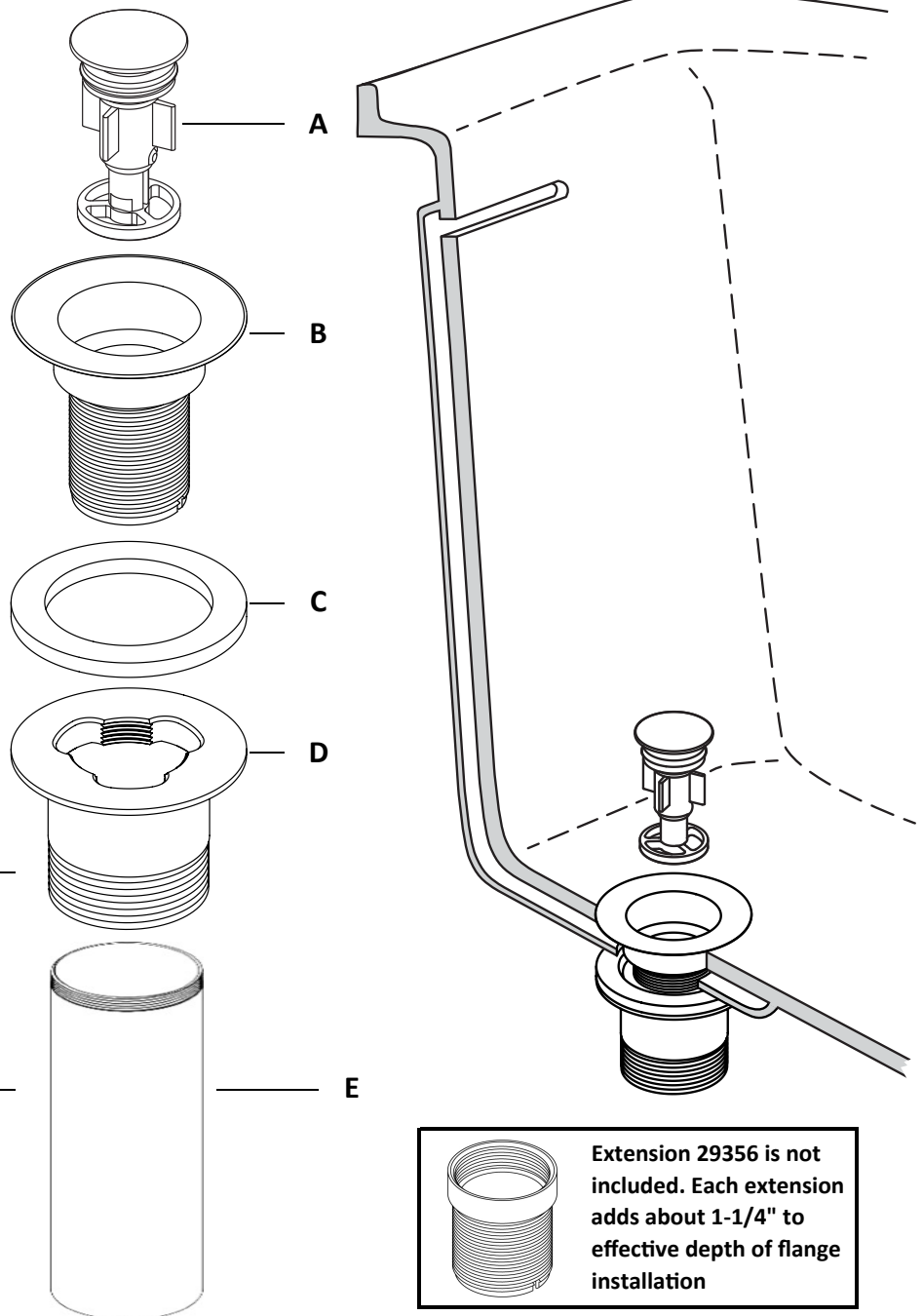
PLEASE NOTE:

The Pop Down[®] for integral overflow tubs may be installed on standard tubs with contractor-built overflows, too.

1-1/2" NPSM Connection to Sanitary Sewer System

-OR-

1-1/2" Tube for Compression Type Connection



⇒ **INSTALLATION:** Bounty Brassware recommends installation by qualified technician as required in your local jurisdiction

- Apply non-staining sealant to underside of **FLANGE** (caution: some plumber's putty may void finish warranty)
- Seat **FLANGE** into tub drain opening from within tub
- From underside of tub place **RUBBER WASHER** on **BACK NUT** and screw to **FLANGE**
- Tighten **BACK NUT** to **FLANGE**
- Apply thread sealant and attach drain to sanitary sewer system as required for your particular installation
- Test entire unit for water tight integrity

